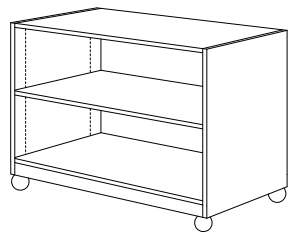


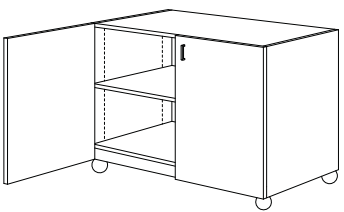
CASEWORK DESIGN SERIES (CDS)

(Page 17 of 20)

700 SERIES - MOVEABLE CABINETS



700



702



703



704



707



710



712

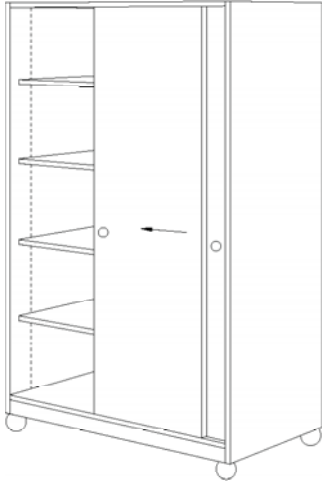


714

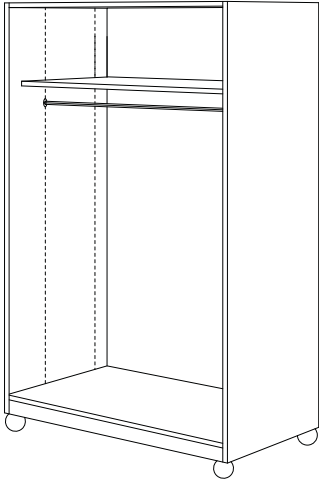


715

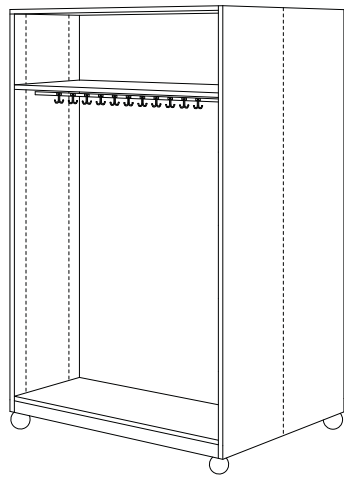
Slide-Out Tilting Paper Shelves



716



720



721

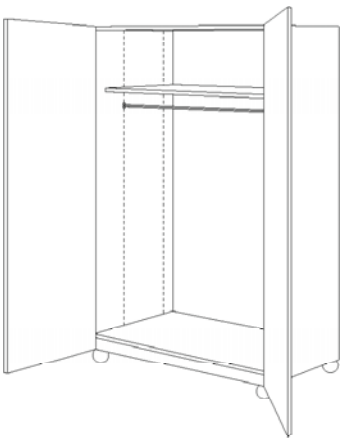
A

CASEWORK DESIGN SERIES (CDS)

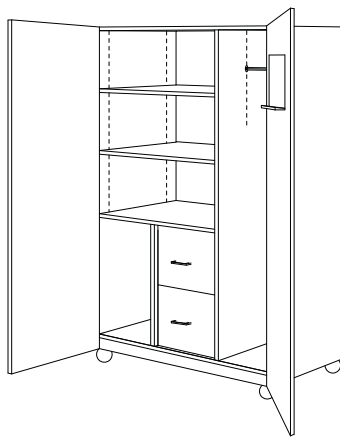
(Page 18 of 20)

700 SERIES - MOVEABLE CABINETS

(continued)



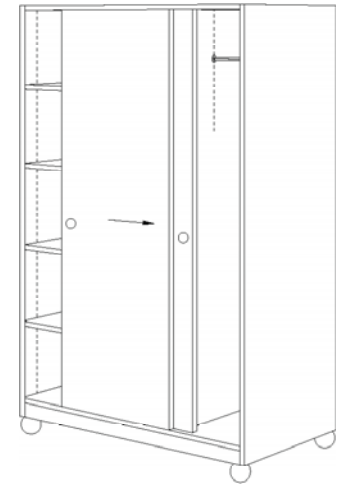
722



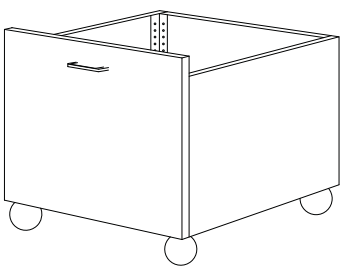
724



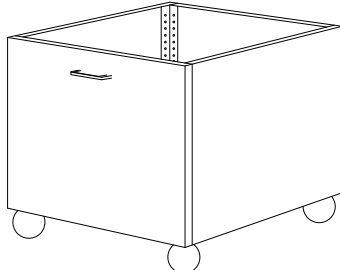
725



726



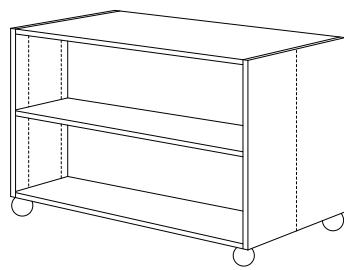
728
Toy Cart



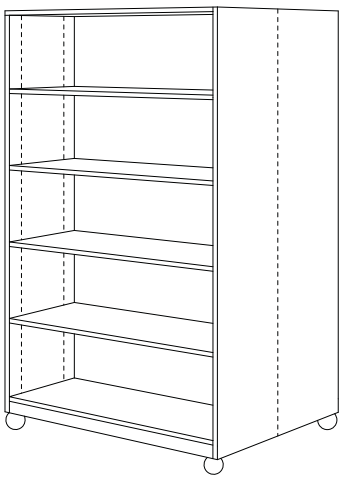
729
Toy Cart



730



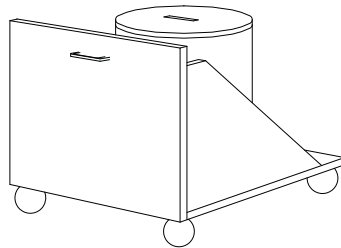
731



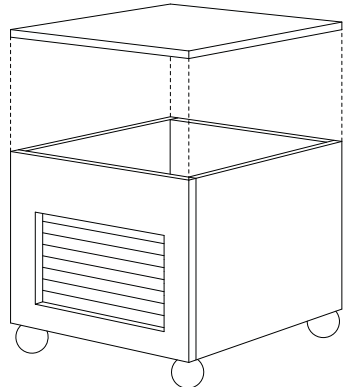
732



734



735
Clay Cart, Tin NIC



736
Metal-Lined Clay Cart

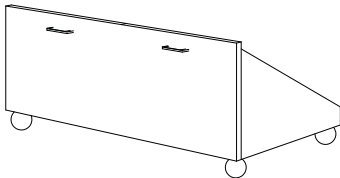
A

CASEWORK DESIGN SERIES (CDS)

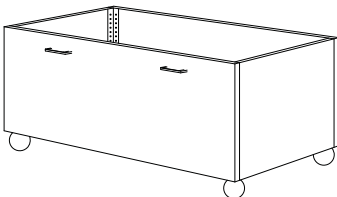
(Page 19 of 20)

700 SERIES - MOVEABLE CABINETS

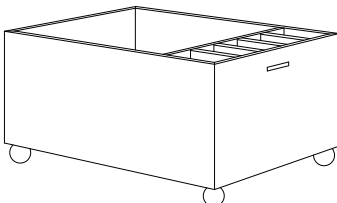
(continued)



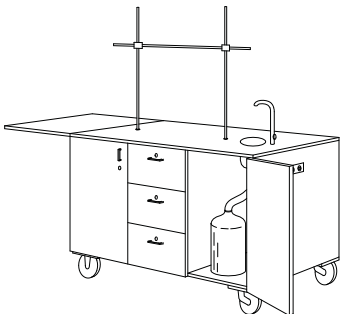
737
Block Cart



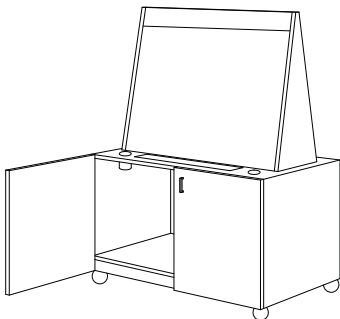
738
Block Cart



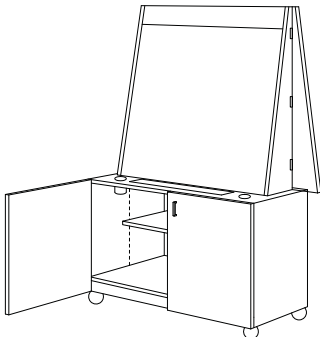
739
Ball & Bat Cart



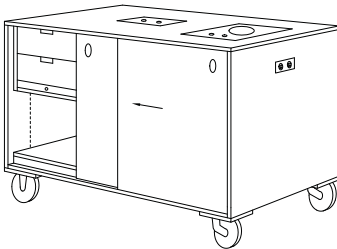
742
Lab Demonstration Cart



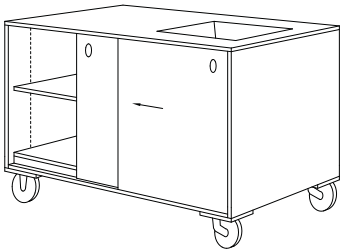
743
Two-Sided Easel



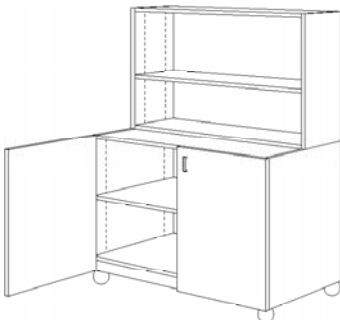
744
Single-Sided Easel



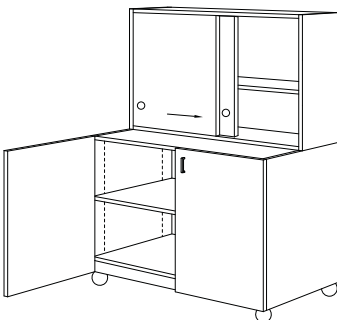
746
Cooking Demonstration Cart



747
Nature Demonstration Cart



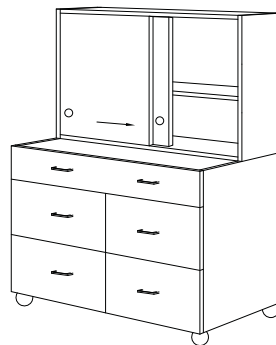
750



751



752



753

CASEWORK DESIGN SERIES (CDS)

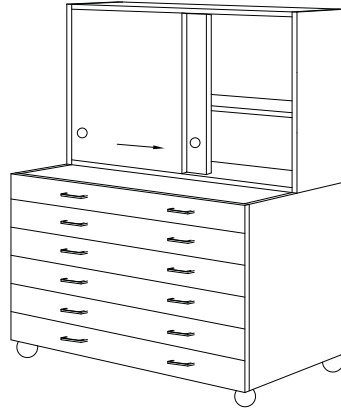
(Page 20 of 20)

700 SERIES - MOVEABLE CABINETS

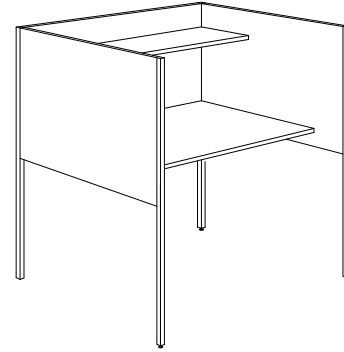
(continued)



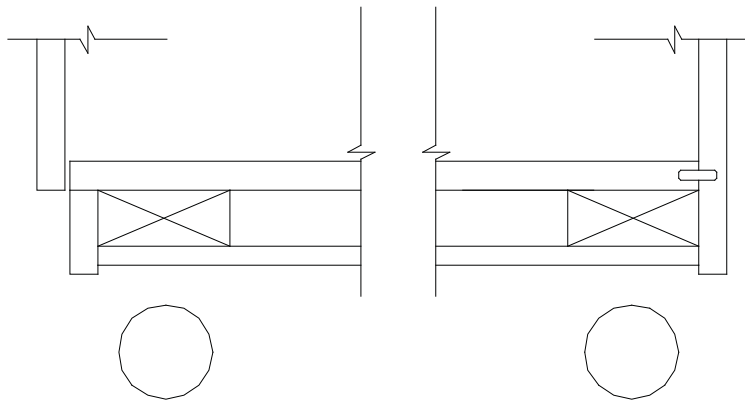
754



755



760
Study Carrel



Typical Diaphragm Bottom Detail